

CDS 6024ES

24-Port EVDSL CONCENTRATOR



The ARESKOM CDS 6024ES EVDSL Concentrator is an expandable and highly-scalable MTU/MDU-customized DSL service multi-port Concentrator module. The CDS 6024ES carries 24 high-speed EVDSL ports and deploys EVDSL over the existing phone line to deliver broadband speeds up to 15 Mbps.

The implementation of 15Mbps EVDSL technology combined with symmetrical operations of VDSL technology allows each subscriber to experience 15Mbps in both directions. This type of high-speed, full-duplex transport technology makes the CDS 6024ES the perfect DSL service platform for providing the bandwidth-intensive business needs of today and tomorrow's growing MTU/MDU market space.

Features & Benefits

- Aggregates voice and data over POTS (copper pair)
- 24 high speed EVDSL ports with up to 15Mbps
- Daisy-chain for multiple concentrators via Gigabit Port
- High performance Gigabit Fast Ethernet switch controller, wired-speed operation on every port
- Full-duplex IEEE 802.3x flow control and collision-based congestion control in half-duplex
- Both Gigabit ports can be combined to form trunk for high bandwidth
- Supports 802.1Q VLAN scheme for up to 1K VLANs
- Support QAM Line Mode
- Two-level passwords for access control
- Firmware can be upgraded by using FTP or Window-based GUI
- Stackable module for easy expansion
- Cooling system with highly reliable cooling FANS

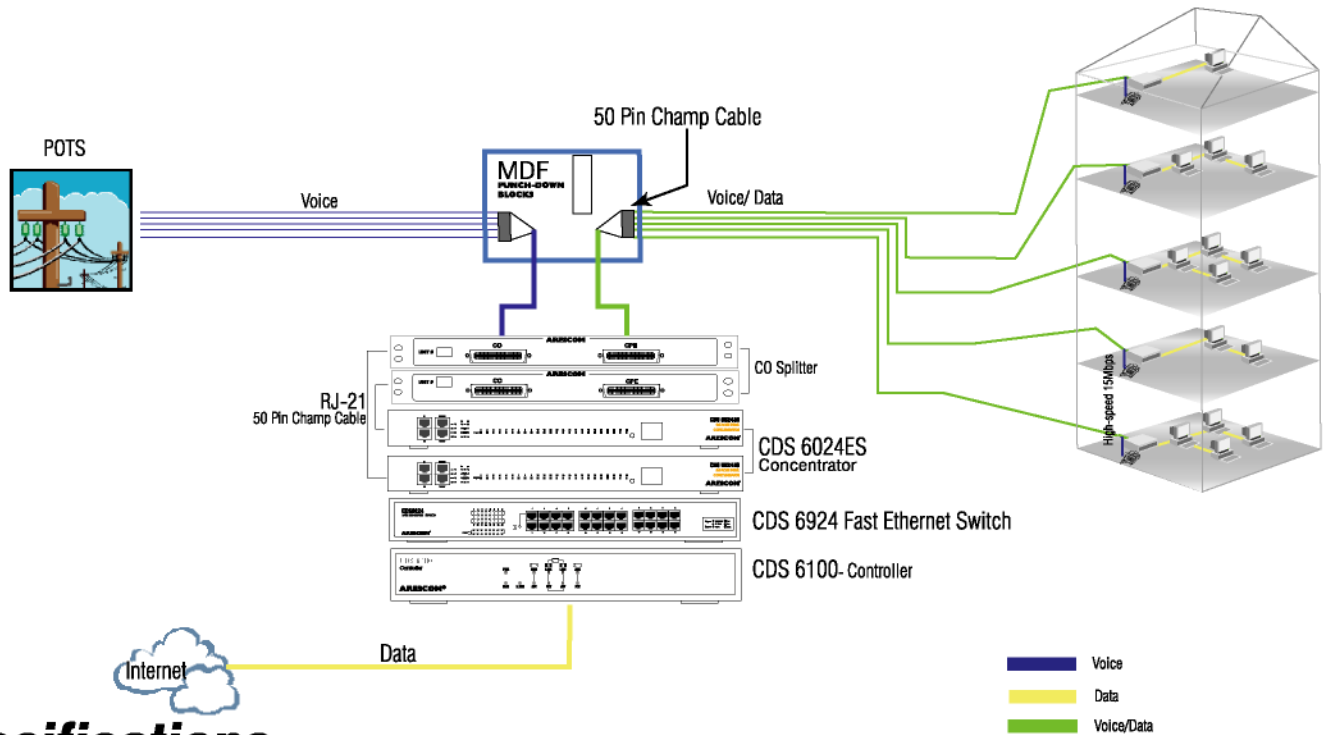
Network Management Functions

- Network management via console, telnet, SNMP
- Subscriber management functions capable of assigning bandwidth for each port.
- Centralized management capability enables remote management and monitoring of subscribers status with different locations.
- VLAN (Virtual LAN) to restrict data traffic within a group of specified ports

Physical Unit

- Standard modular design for 19" rack mount-installation

CDS 6024ES 24-PORT EVDSL CONCENTRATOR



Specifications

HARDWARE

Interface

Data Port (EVDSL)	1-50 Pin Champ Connector (RJ-21)
Gigabit Ethernet	2-Port - 1000Base-T (RJ-45)
Management	1 Port - 10Base-T (RJ-45)
Console	1 Port (RJ-45)

Front Panel LED

System	Power, Diag
EVDSL Port (24)	Link/ (CPE Link, Activity)
Giga Ethernet (2)	Giga Link, Ethernet Link, Duplex, Activity
10BaseT	Link/ Activity
Concentrator ID	2 Digital
ALARM	Critical

SOFTWARE

Protocols	Ethernet V2, Classical IP (RFC 1577)
Ethernet Switch	IEEE 802.3x flow control IEEE 802.3ad trunking IEEE 802.1Q VLAN
Management	Console, Telnet, SNMP

PANEL

Front Panel



Back Panel



PHYSICAL

Dimensions	(w)17" x (d)13.65" x (h)1.75"
Rack-mounting	19-inch
Weight	7.5 lb
Power	Autosensing 100-240 VAC 50/60Hz
Power Consumption	55 W
Temperature	0° - 45° C (32° - 113° F)
Relative Humidity	0% - 95% non-condensing

CERTIFICATION (Pending)

EMI/RF	FCC Part 15, Class A, CE EN55022 Class A
Telecom	FCC Part 68, ICES-003, Class A

ARESCOM is committed to continuous research and development. Therefore, changes may be made in the future without notice. * All rights reserved © 2002, ARESCOM, INC, California, USA.

ARESCOM
Broadband Internet & Remote Access Solutions

CONTACT:
3541 Gateway Blvd.
Fremont, CA 94538
U.S.A.
tel: 510.445.3638 fax: 510.445.3636
e-mail: sales@arescom.com
www.arescom.com